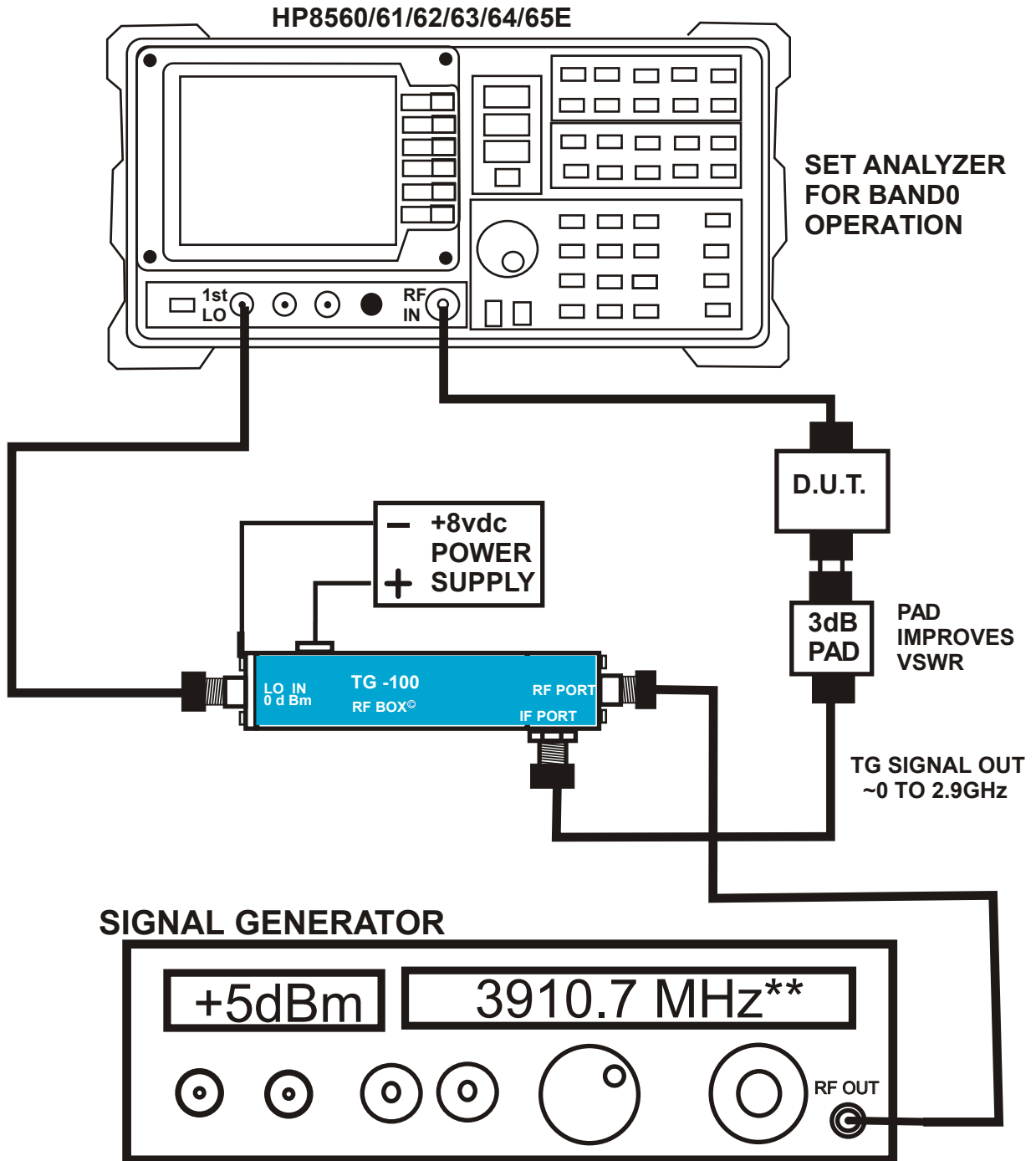


**TG100 RECOMMENDED SETUP FOR OPERATION
W/ HP8560x, HP8561x, HP8562x, HP8563x , HP8564x AND HP8565E
SPECTRUM ANALYZERS, BAND0 OPERATION**



** IT MAY BE NECESSARY TO TUNE IN THE FREQUENCY. TUNE FOR MAXIMUM AMPLITUDE WITH THROUGH AS DUT