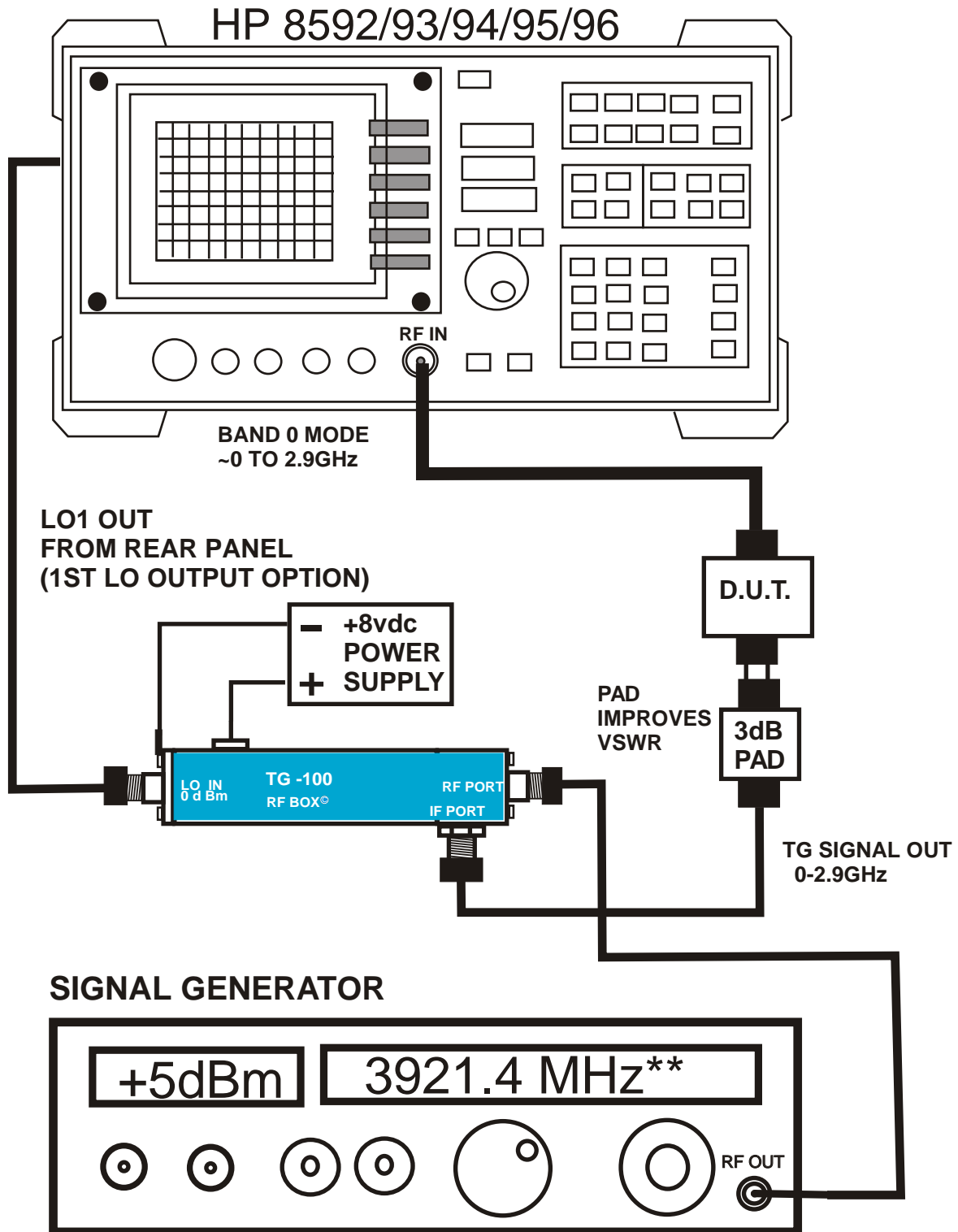


**TG100 RECOMMENDED SETUP FOR OPERATION
W/ HP8592x, HP8593x, HP9594x, HP8595x AND HP8596x
SPECTRUM ANALYZERS, BAND 0 OPERATION(0-2.9GHz)**



** IT MAY BE NECESSARY TO
TUNE IN THE FREQUENCY.
TUNE FOR MAXIMUM AMPLITUDE
WITH THROUGH AS DUT

A PASSIVE DOUBLER MAY BE USED ON SG OUTPUT
SOME LOSS OF DYNAMIC RANGE WILL OCCUR
UNLESS FOLLOVED BY AMPLIFIER. IN THIS CASE
SET SG TO 1960.7MHZ