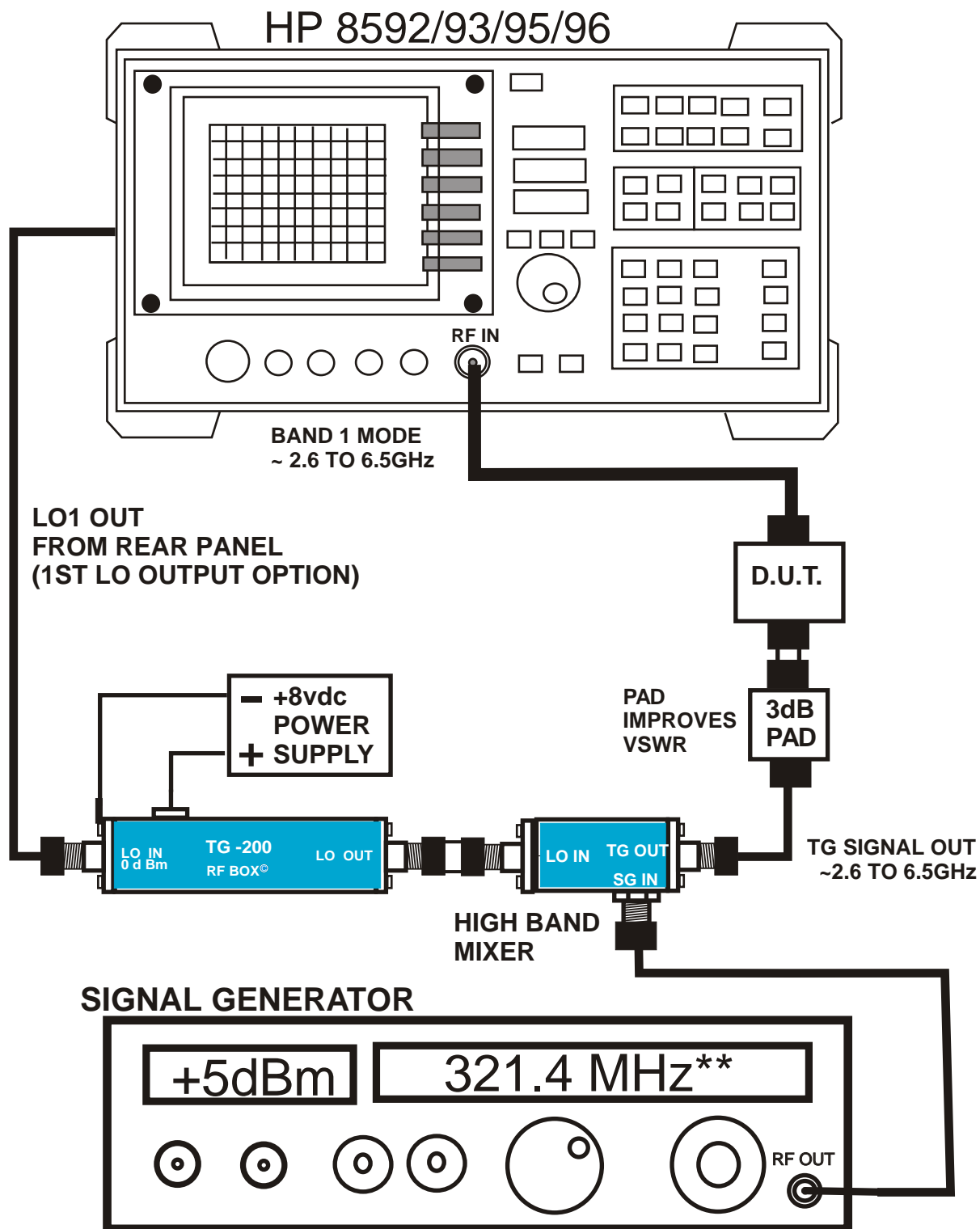


**TG200 RECOMMENDED SETUP FOR OPERATION
W/ HP8592x, HP8593x, HP8595x AND HP8596x
SPECTRUM ANALYZERS, BAND1 OPERATION**



**** IT MAY BE NECESSARY TO
TUNE IN THE FREQUENCY.
TUNE FOR MAXIMUM AMPLITUDE
WITH THROUGH AS DUT**