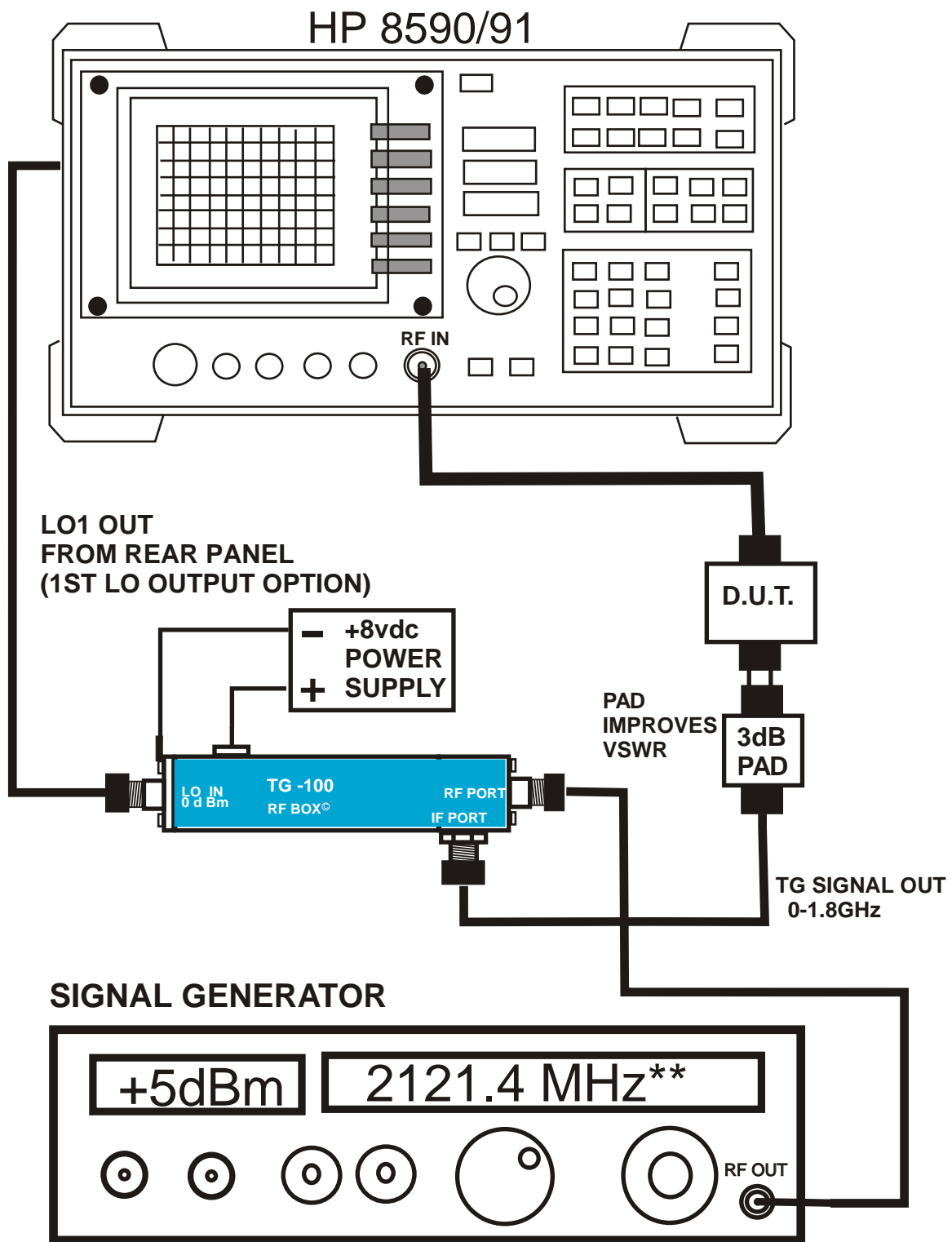


**TG100 RECOMMENDED SETUP FOR OPERATION
 W/ HP8590/A, HP8591/A/B/C SPECTRUM ANALYZERS**



**** IT MAY BE NECESSARY TO
 TUNE IN THE FREQUENCY.
 TUNE FOR MAXIMUM AMPLITUDE
 WITH THROUGH AS DUT**

**A PASSIVE DOUBLER MAY BE USED ON SG OUTPUT
 SOME LOSS OF DYNAMIC RANGE WILL OCCUR
 UNLESS FOLLOVED BY AMPLIFIER. IN THIS CASE
 SET SG TO 1060.7MHZ**